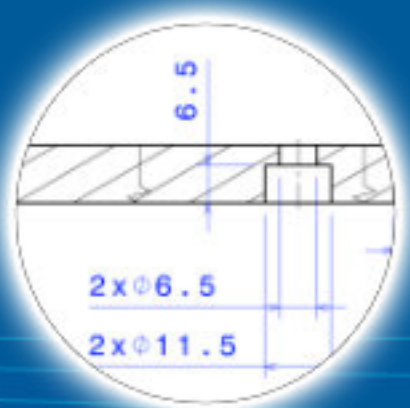


TOOLS FOR PHYSICISTS 2022

WERKZEUGE FÜR PHYSIKER

Be prepared for the real lab work - know how to tackle the problems.
10 independent hands-on topics. Get in touch with the pros in their field.
Focusing on thesis starters (Bachelor, Master, PhD), Postdocs welcome.



Technisches Zeichnen

Mo, 25.4. 14:15, Konferenzraum HIM



Mathematica

We, 15.6. 14:15, HIM Conference Hall



Code Optimization

We, 4.5. 14:15, HIM Conference Hall



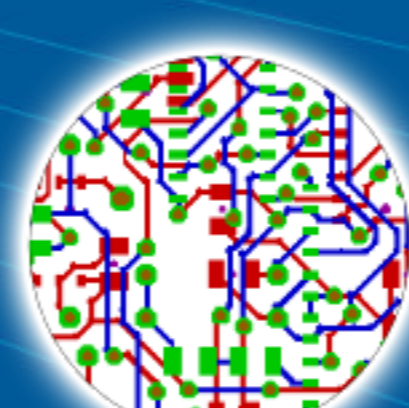
3D Printing and Designing Basics

We, 22.6. 13:00, HIM Conference Hall



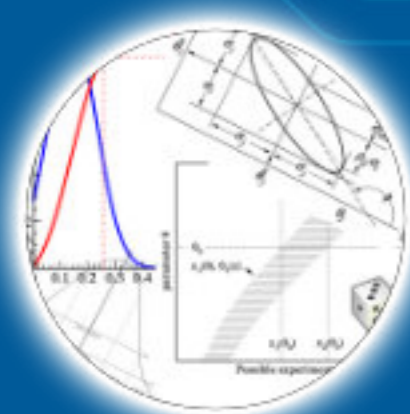
Boost your Analysis with High Performance Computing

We, 11.5. 14:15, HIM Conference Hall



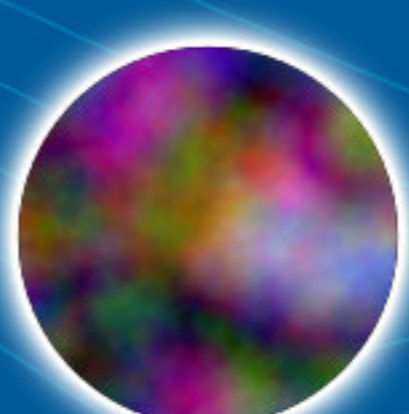
PCB Design with KiCAD

We, 29.6. 14:15, HIM Conference Hall



Statistics

We, 18.5. 14:15 + 25.5. + 1.6., HIM Conference Hall



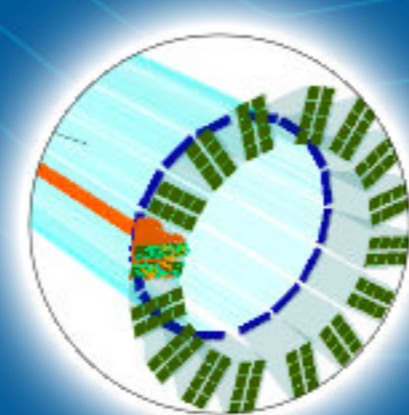
EM Noise & Interference in Measurement Setups

We, 6.7. 14:15, HIM Conference Hall



Estimates, Analogies, Storytelling and Handwaving for Physicists

We, 8.6. 14:15, HIM Conference Hall



Geant 4

We, 13.7. 14:15 + 20.7., HIM Conference Hall

Visit the course webpage and register today! www.hi-mainz.de/tfp22
Registration mandatory, limited seats.
Organised by Dr. Peter-Bernd Otte (HIM)



Scan me